

REBBLERS

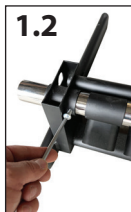
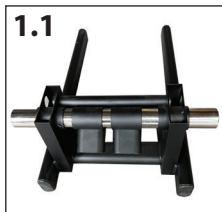
INSTRUCTION MANUAL GAMESEAT KART, PRO, PRO+

(KART includes KART seat, PRO is excluding TV mount,
Pro+ includes TV mount)



PARTS





Insert the chrome pipe into the left or right side of the frame, slide the metal frame holders over the pipe and push the pipe through the entire frame. Fix the bar using the supplied bolts.



Attach the beams for the seat. Note: mount the long side of the metal bracket against the backrest, note left and right beam (seen from sitting position). The left and right eye are asymmetrical on the beam.

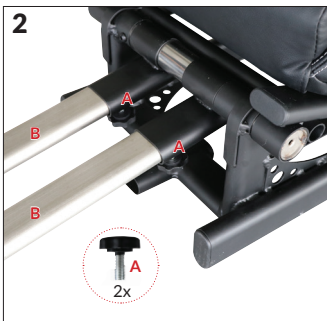


Note: mount the long side of the metal bracket against the backrest.

1.9



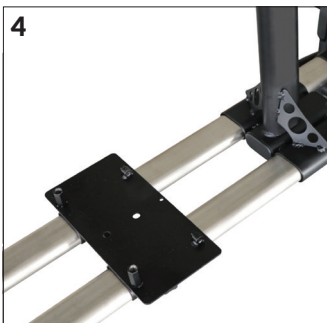
2



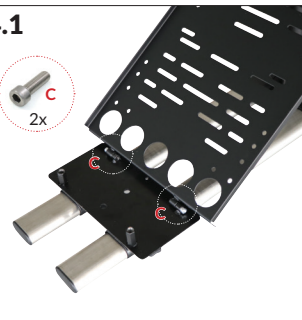
3



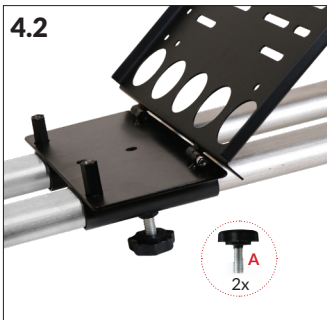
4



4.1



4.2



4.3



5



5.1

overview



6



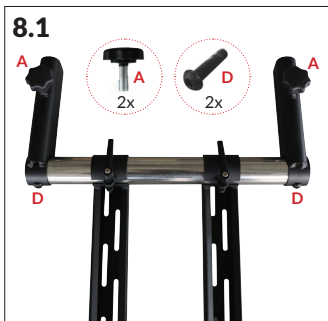
7



7.1

adjust
overview





8.2



9.2

overview



**RALLY / DTM POSITION
READY**



REBBLERS

www.rebblers.com

Thank you for buying REBBLERS!
If you need more information please visit the
frequently asked questions website **<https://rebblers.com/faq/>**
or our video manuals on **<https://rebblers.com/manuals/>**